



Rex-Analogue time switches

for DIN rail mounting and wall mounting
MaxiRex



6499 14



6499 15

Dimensions (p. 203)
Technical data (p. 195)

230 V~, 50/60 Hz
Voltage tolerance - ± 10 %
Conforms to IEC 60730-1, EN 60730-1
Analogue 24 hrs and 7 days time switch
With 3 position changeover switch (5 terminals)
Suitable for DIN rail mounting, wall mounting and installation in plastic box with locking facility
With manual override switch
Hands can be moved clockwise or anti clockwise for easy setting of time.

Pack	Cat.Nos	MaxiRex with 4 terminals (without plastic box)
		MaxiRex 4QT (with 500 hrs. working reserve) 24 hrs. programme Voltage Frequency 230 V 50-60 Hz
1/30	6499 15	
		MaxiRex with 4 terminals (with plastic box)
		MaxiRex 4QTB (with 500 hrs. working reserve) 24 hrs. programme Voltage Frequency 230 V 50-60 Hz
1	6499 14	
		MaxiRex 4QWB (with 500 hrs. working reserve) 7 days programme 240 V 50-60 Hz
1	6499 36A	

Pack	Cat.Nos	MaxiRex with 5 terminals (without plastic box)
		MaxiRex 5QW (with 500 hrs. working reserve) 7 days programme Voltage Frequency 230 V 50-60 Hz
1/30	6499 39	
		MaxiRex QT 30 A (with 100 hrs. running reserve) 24 hrs. programme Voltage Frequency 230V 50-60 Hz Robust analogue time switch with real 30A switching capacity
1/30	6499 64	
		Accessories
1/30	6499 49	Terminal cover for MaxiRex 4 and 5
1/10	6499 48	IP 53 plastic box

DX³

Easy, Safe Connection

Safety is prioritised with the innovative features of the DX³ products

The quality and hold of the connections are vital for the safety of distribution boards fitted with high breaking capacity MCBs. The connection areas are designed to make installation faster without compromising on the safety.

RELIABLE CONNECTIONS

Compensation for the effect of loosening to ensure excellent hold over time and consistent contact ($I_n \geq 80$ A)



RISING CLAMP TERMINALS

ensure a high quality, durable connection



Black handle:
circuit breakers
Grey handle: switches

Breaking capacity

- 16 kA
- 25 kA
- 36 kA
- 50 kA



RETRACTABLE INSULATING SHIELDS

With the integrated retractable insulating shields, no additional accessories are needed to isolate the connections on all breaking capacities and high ratings of the 1.5 modules/pole ($I_n \leq 63$ A) circuit breakers.

Rex time switches

■ Technical data

Allowed loads for time switches

Cat.Nos	Consumption at 230 V \sim 50 Hz Watt	Nominal output (VDE)			Allowed load at 230 V \sim , 50 Hz		
		I Cos ϕ = 1	Output	Class	Incandescent halogen lamps (230 V \sim)	Fluorescent lamps duo circuit	cos ϕ = 0.6
		A	*)	IP	A	A	A
Surface and fascia mounting							
6499 15	0.38	16	1 W μ	20	4	14	12
6499 14	0.38	16	1 W μ	20	4	14	12
6499 39	0.38	10	1 W μ	20	4	8	7
6499 36	0.38	16	1 W μ	20	4	8	8

*) W = changeover contact
S = normal open
 μ = distance between contacts 3 mm

Hint : Loads given for 230 V \sim / 50 Hz and contact life time ≥ 5 years

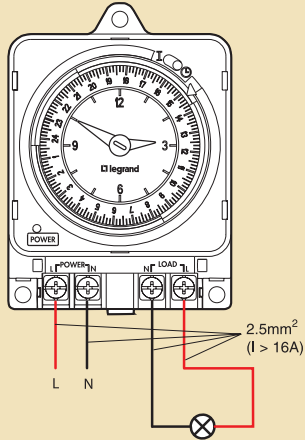
- Staircase time switches and timing relays $\geq 1,00,000$ changeovers, corresponding at ca. 27 changeovers / day.
- Time switches $\geq 10,000$ changeovers, corresponding at ca. 5 changeovers / day.

Rex time switches

■ Wiring diagram

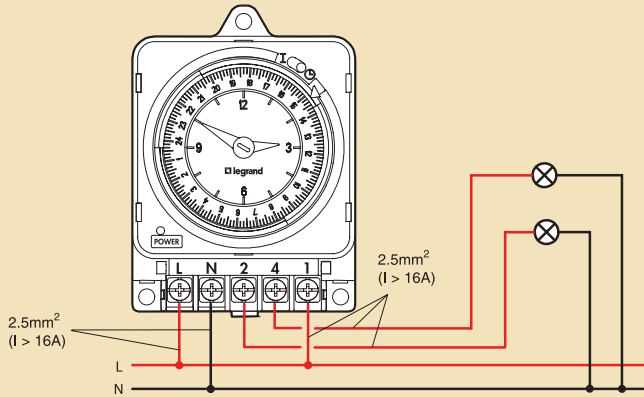
• MaxiRex

Cat.Nos 6499 15, 6499 14, 6499 36



• MaxiRex

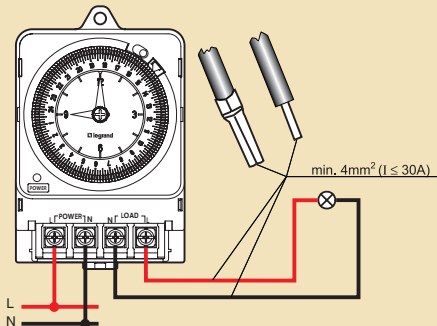
Cat.No. 6499 39



• MaxiRex

Cat.No. 6499 64

Wiring diagram



Lexic remote control dimmer



0036 71

 *Dimensions (p. 203)*
Technical data (p. 197)

Pack	Cat.Nos	Dimmers	Number of 17.5 mm modules
1	0036 71	DIN rail mounting For incandescent and halogen lamps 230 V~, ELV halogen lamps with ferromagnetic or electronic transformers Can be controlled with simple non illuminated double push-buttons or BUS peripheral	6